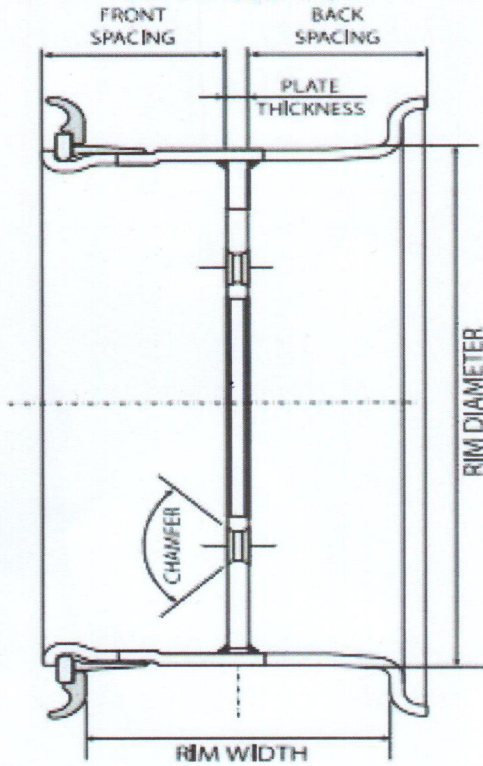


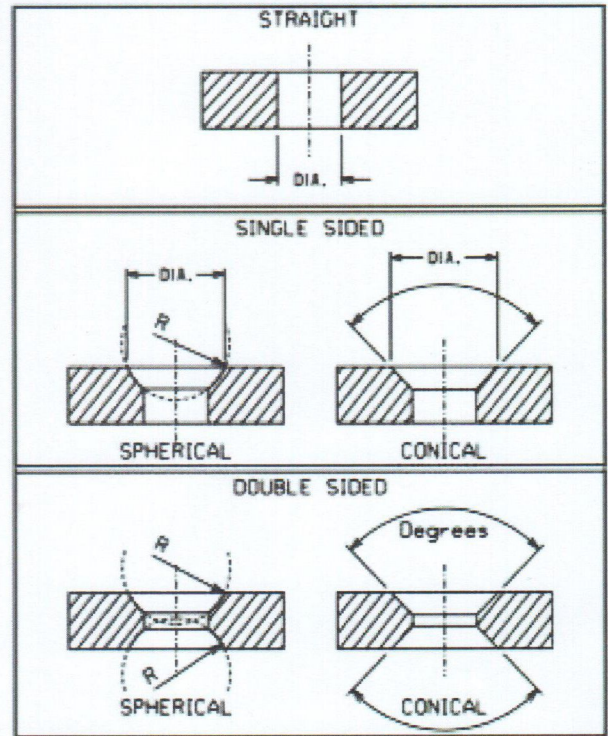
Wheel Size: _____
 Number of Holes: _____
 Bolt Circle Diameter: _____
 Pilot Hole Diameter: _____
 Bolt Hole Size: _____
 Chamfer: _____

Plate Thickness: _____
 Plate Location: _____
 Pitch: _____
 Wheel Type: _____
 Markings: _____

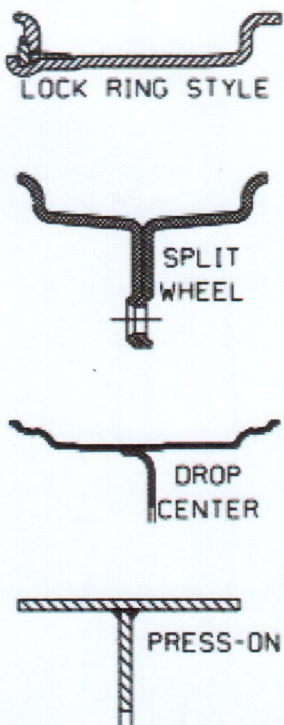
PLATE LOCATION



BOLT HOLE MEASUREMENT



WHEEL STYLES



HOLE PATTERN

